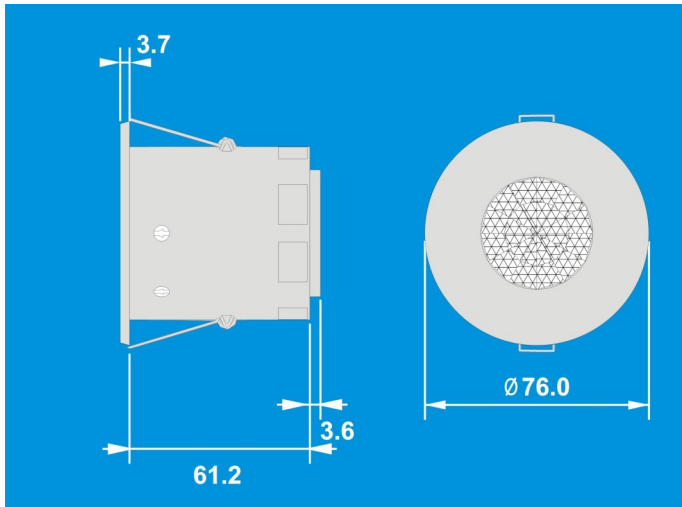


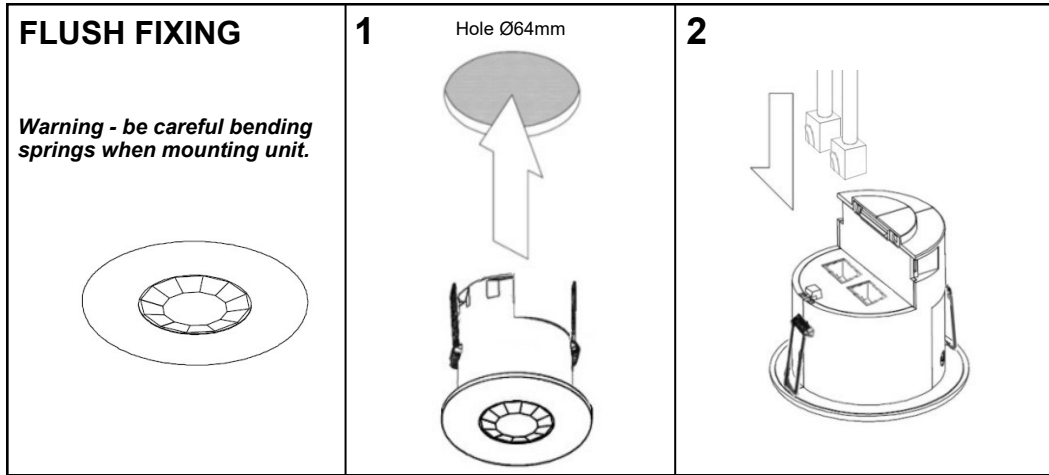
# EBR-CPIR

## Ceiling Presence Detector



### Dimensions





## Description and Operation

The EBR-CPIR presence detectors are designed to provide automatic control of lighting via the RAPID lighting control system. They detect movement using a PIR sensor and turn the load on. When an area is no longer occupied the load will switch off after an adjustable time out period. An adjustable internal light sensor provides light level information to the RAPID system to allow lights to be kept off if sufficient daylight is present, and to enable maintained illuminance for dimming systems.

An integral IR sensor in the unit allows the unit to be commissioned, and used in conjunction with a remote control handset (part no: UHS) to:

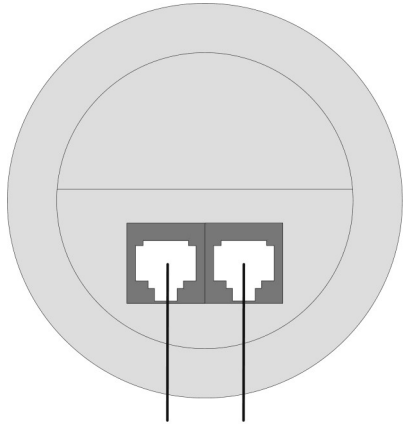
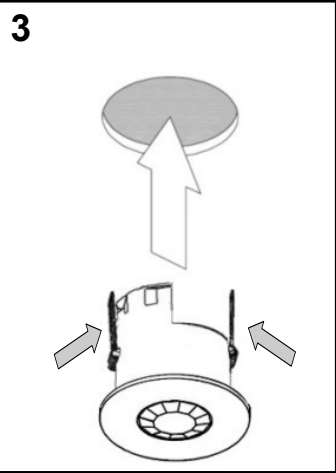
- Act as a conventional dimmer
- Override the unit on or off
- Change the maintained illuminance lux setting

## Installation & Fixing

Wire the products as in the diagram, simply by connecting to the relevant port of the Rapid LCM using a Cat5 patch cord. An additional RJ45 connector is provided to daisy chain sensors together.

The detector should be sited so that the occupants of the room fall inside the detection pattern shown overleaf, at a recommended height of 2.8m on the ceiling. Note that the lower the sensor is installed the smaller the detection range will be, subject to the parameters shown on the diagram.

- Avoid direct sunlight entering the sensor.
- Do not site within 1m of forced air heating or ventilation.
- Do not site within 1m of any lighting.
- Do not fix to a vibrating surface.
- Mount using the diagram above.



**RAPID BUS  
CONNECTIONS**

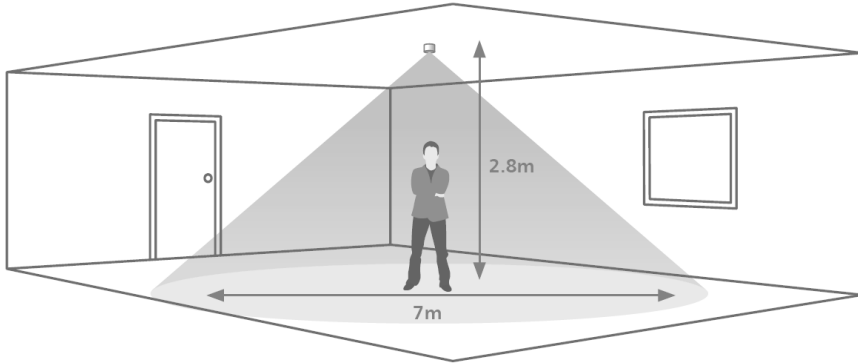
**Commissioning**

Commissioning will normally be performed by our trained commissioning engineers. Please note that prior to commissioning, it is the responsibility of the installing contractor to ensure the following:

- The RAPID LCMs must be connected and installed as described in the relevant datasheet
- The detectors must be installed and plugged into the channel of the LCM as shown on the system installation drawings
- Mains power must be available
- Luminaires must be plugged in
- Bus connection must be established and checked

The detector can be set up using our infrared programming handset or computer front end. For programming details see the separate programming document.

# Detection Pattern




Area of high sensitivity  Area of lower sensitivity 

## Specification

### LOAD

See datasheet for RAPID LCM

<b>SUPPLY VOLTAGE</b>	12VDC
<b>TIME OUT PERIOD</b>	Adjustable 1 minute to 99 minutes
<b>LIGHT LEVEL</b>	Light to dark
<b>MATERIAL</b>	Flame retardant ABS
<b>TYPE</b>	Class 2
<b>TEMPERATURE</b>	-10°C to 35°C
<b>CONFORMITY</b>	EMC-2014/30/EU LVD-2014/35/EU 

For further compliance information visit  
[www.cpelectronics.co.uk/compliance](http://www.cpelectronics.co.uk/compliance)

## Part Numbers

EBR-CPIR

RAPID ceiling mounted  
presence detector

### IMPORTANT NOTICE!

This device should be installed by a qualified electrician in accordance with the latest edition of the IEE wiring regulations.



### C.P. Electronics Ltd

Brent Crescent

London

NW10 7XR

United Kingdom

Tel: + 44 (0) 333 900 0671

Fax: + 44 (0) 333 900 0674

[www.cpelectronics.co.uk](http://www.cpelectronics.co.uk)

[enquiry@cpelectronics.co.uk](mailto:enquiry@cpelectronics.co.uk)



Due to our policy of continual product improvement CP Electronics reserves the right to alter the specification of this product without prior notice.

Ref: #WD203 Issue 7